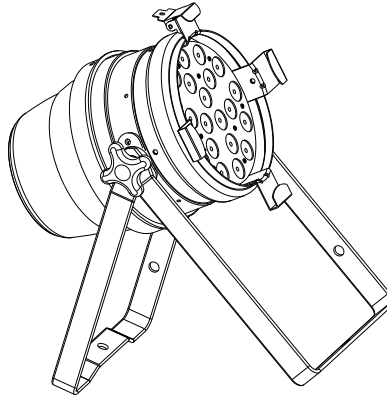


LITECRAFT®

LED PAR 64 AT3 MANUAL



Thank you for purchasing this LITECRAFT product. For your own safety, please read the instruction manual carefully before turn on the product for the first time.

SAFETY NOTES

- Each person which is responsible for the installation, the use or service of this unit must be:
 - qualified
 - has to follow the instructions in this manual.
- **WARNING!** Be careful when using the device. You risk an electrical shock from high voltage, if you touch the wires!
- The device has left our company in manufacturer proofed state. To maintain this status and to ensure a permanent safe operation, it is absolutely necessary to follow the safety instructions and warnings in this manual.
- **IMPORTANT:** Errors, caused by not following these instructions are not covered by the warranty. The manufacturer will not accept liability for any resulting defects or problems.
- Keep the unit away from radiators or other heat sources!
- If the unit has been exposed to tremendous temperature changes (e.g. after transportation), do not turn it on immediately. The resulting condensation could damage the unit. Don't switch unit on until the device reaches room temperature.
- This device belongs to protection class I. Therefore, it is imperative that the green/yellow wire is connected to the earth contact of the plug. The electrical connection must be made by a qualified person.

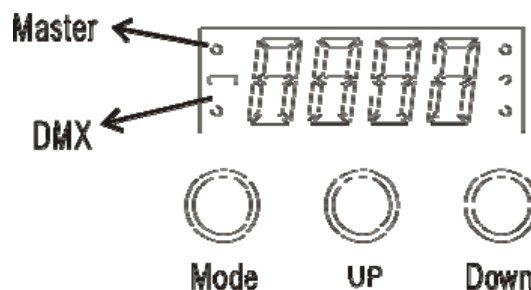
- Make sure that the cable has never been squeezed or damaged by sharp objects. Check the device and the cables regularly.
- If the cable is damaged, it must be replaced immediately by the manufacturer, its service agent or a qualified person in order to avoid danger.
- Lenses, glasses or UV filters must be replaced if they are visually damaged, or their effectiveness is impaired, e.g. by broken glass or by deep scratches.
- Ensure that wires never come in contact with other wires! Handle the power cord and all connections with caution!
- Make sure that the line voltage is not higher than the voltage specified in this manual.
- Disconnect the unit from the AC mains when it is not in use or when cleaning it. Disconnect the connection only by pulling the cable plug.
- Using the fixture for the first time, can result in light smoke and odors. This is a normal process and does not constitute a defect.
- **RISK OF BURNS!** Do not touch the unit during operation! The housing may reach high temperatures.
- **RISK TO HEALTH!** Never look directly into the light source. Especially epileptics risk an epileptic shock! Disconnect the unit from the AC mains when not in use or when cleaning it.
- Defects caused by modifications of the device by unqualified handling or an unqualified person are not covered by the warranty.
- Keep the product away from children and unskilled people.
- There are no wear parts in the device. Maintenance and service must be performed only by an authorized service partner.

OPERATION

- This device has several DMX- and Stand-Alone-Modes. In DMX-mode, multiple devices can be connected and controlled by a controller. The device accepts the settings of the DMX-controller, as soon as the corresponding start address is set.
- Slave mode:
Connect the DMX-output of the master device (XLR female) to the DMX-input of the slave device (XLR male). Set the slave device to DMX-mode 3 with the DMX-start address 001 (display shows: 3001). The slave device accepts all settings of the master device (such as color changing audio triggered color macro, programm, audio programm, programm speed).
- Display description:
The display shows the different DMX-modes & the DMX-start address or color changing audio triggered color macro, programm, audio programm, programm speed; the first digit shows the mode, the last three digits the corresponding value. If a DMX-mode is chosen, the DMX-LED flashes fast to show the DMX signal is present. If master/slave is chosen the DMX-LED lights up permanent on master unit and flashes fast on slave unit.
- Button description:
Press the MODE button repeatedly to select the mode. Press the UP or DOWN button to set the DMX-start address or any of the pre-programmed modes or the speed values. Use the UP button to increase the value. Use the DOWN button to decrease it.

NOTE!

If you hold the UP or DOWN button for longer than 3 seconds, the value changes faster. The device has an automatic storage for all settings. When you turn the device off and on again, it works with the previously set values.



CONTROL MODES / DMX DESCRIPTION

	mode	display	function
DMX-mode	1 channel mode	1***, *** = DMX address	ch1 = color macro mode (35 colors + black)
	2 channel mode	2***, *** = DMX address	ch1 = color macro mode (35 colors + black) ch2 = dimmer
	3 channel mode	3***, *** = DMX address	ch1 = dimmer red ch2 = dimmer green ch3 = dimmer blue
	7 channel mode	4***, *** = DMX address	ch1 = dimmer red ch2 = dimmer green ch3 = dimmer blue ch4 = color macro mode 0-13 no macro 14-255 pre-programmed colors ch5 = strobe/speed 0-15 no strobe 16-255 strobe 16 speed values ch6 = mode 0-35 no function 36-71 automatic ramp up */** 72-107 automatic ramp down */** 108-143 automatic ramp up/down */** 144-179 automatic color mix mode 180-215 random 3-colors * 216-251 random 7-colors * 252-255 audio mode ch7 = dimmer * speed value by channel 5 ** color value by channel 1, 2, 3
audio mode	color changing audio triggered	5-So – no setting possible	color change triggered by audio signal
manual mode	color macro mode	6***, *** = pre-programmed colors	choose one of 35 pre-programmed colors + black
	color programm mode	7***, *** = pre-programmed chaser	choose one of 6 pre-programmed chasers
	audio programm mode	8*00,*00 = audio trigger active	audio trigger for the color programm chosen in color programm mode
	programm speed	8***, *** = speed value	choose one of 16 speed values for the programm chosen in programm mode

TECHNICAL SPECIFICATION

voltage	100-240 V, 47-63 Hz
power consumption	0.3 A @ 230 V
measurements	274 x 268 x 433 mm
weight	3.5 kg
fuse	T3.15 A @ 250 V